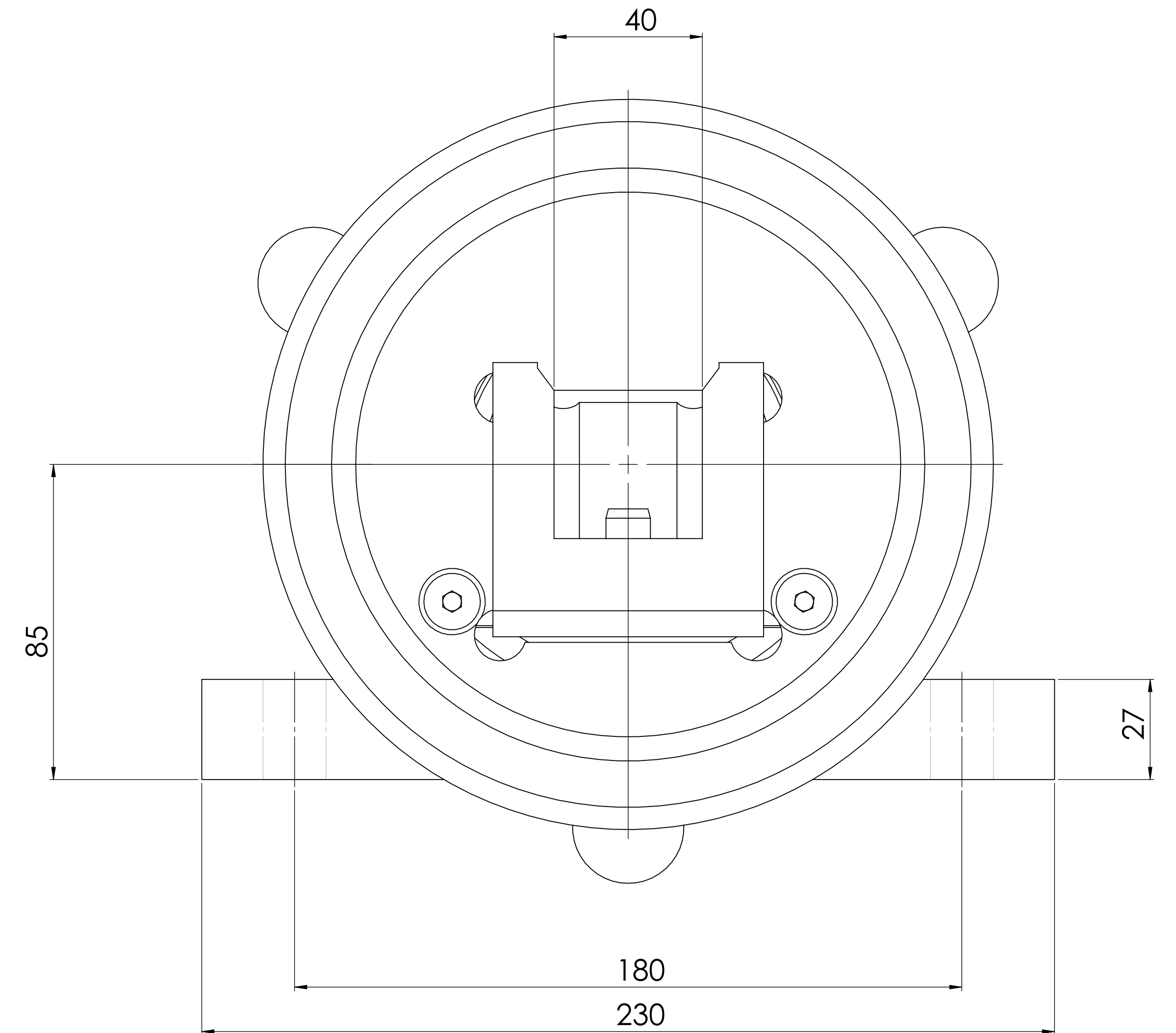
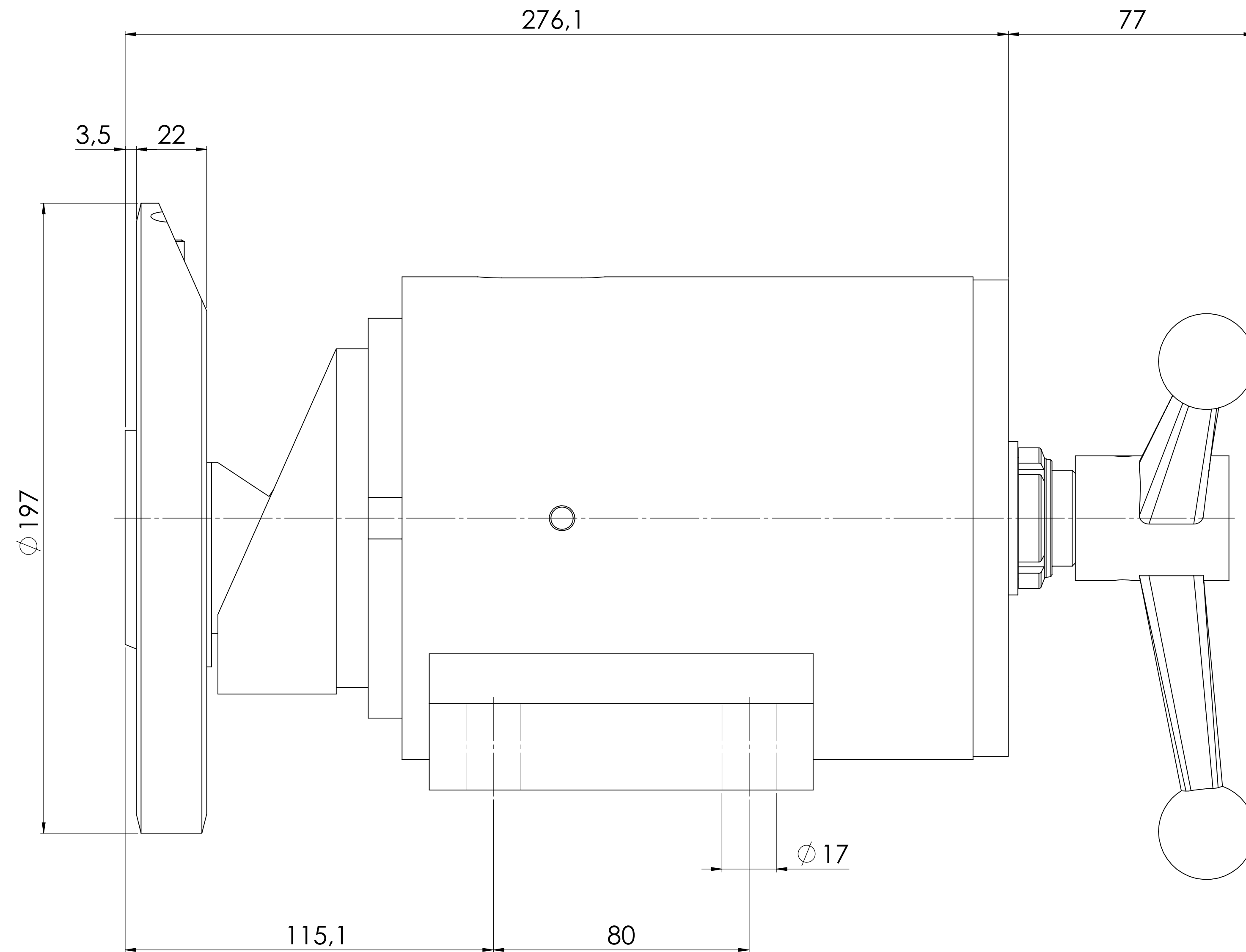


TRASO
Converting Equipment



TIPO / TYPE:

Con alberino / With shaft extension

Senza alberino / Without shaft extension

Compatibile con:

PORTATA MAX / MAX LOAD:

**QUADRI STANDARD /
SQUARE STANDARD SOCKET:**

VELOCITA' MAX / MAX SPEED:

**Ø ALBERINO STANDARD /
STANDARD SHAFT DIAMETER:**

A RICHIESTA / ON REQUEST:

QUADRO / SQUARE SOCKET:

_____ mm

**Ø ALBERINO E LUNGHEZZA /
SHAFT DIAMETER AND LENGTH:**

Ø _____ mm; L _____ mm