



MAINTENANCE MANUAL FOR AIRSHAFTS WITH KEYS & CENTRAL AIR BLADDER

REPLACEMENT OF AIR BLADDER

Before replacing the air bladder, check whether the air leak occurs in the valve **(2)**. Should it occur in the air valve, just replace it. Otherwise, the bladder must be replaced: please proceed as follows.

DISASSEMBLY OPERATIONS

1. Fasten the keys **(11)** in their maximum expanding position by inserting a wire into their holes. Keep them fastened throughout the process.
2. Loosen the air valve **(2)** only if it is placed between the fixing screws **(4)**. It will only be reassembled after replacing the air bladder.
3. Unscrew the fixing screws **(4)** and remove the valve side journal **(1)**. Then, remove the entire air bladder assembly **(5÷15)**.
4. Unscrew the air bolt **(6)** as well as the hex screw **(15)** in order to pull out the external caps **(8)** from the bladder.
5. Remove the inner tube **(13)** and its internal caps **(12)**

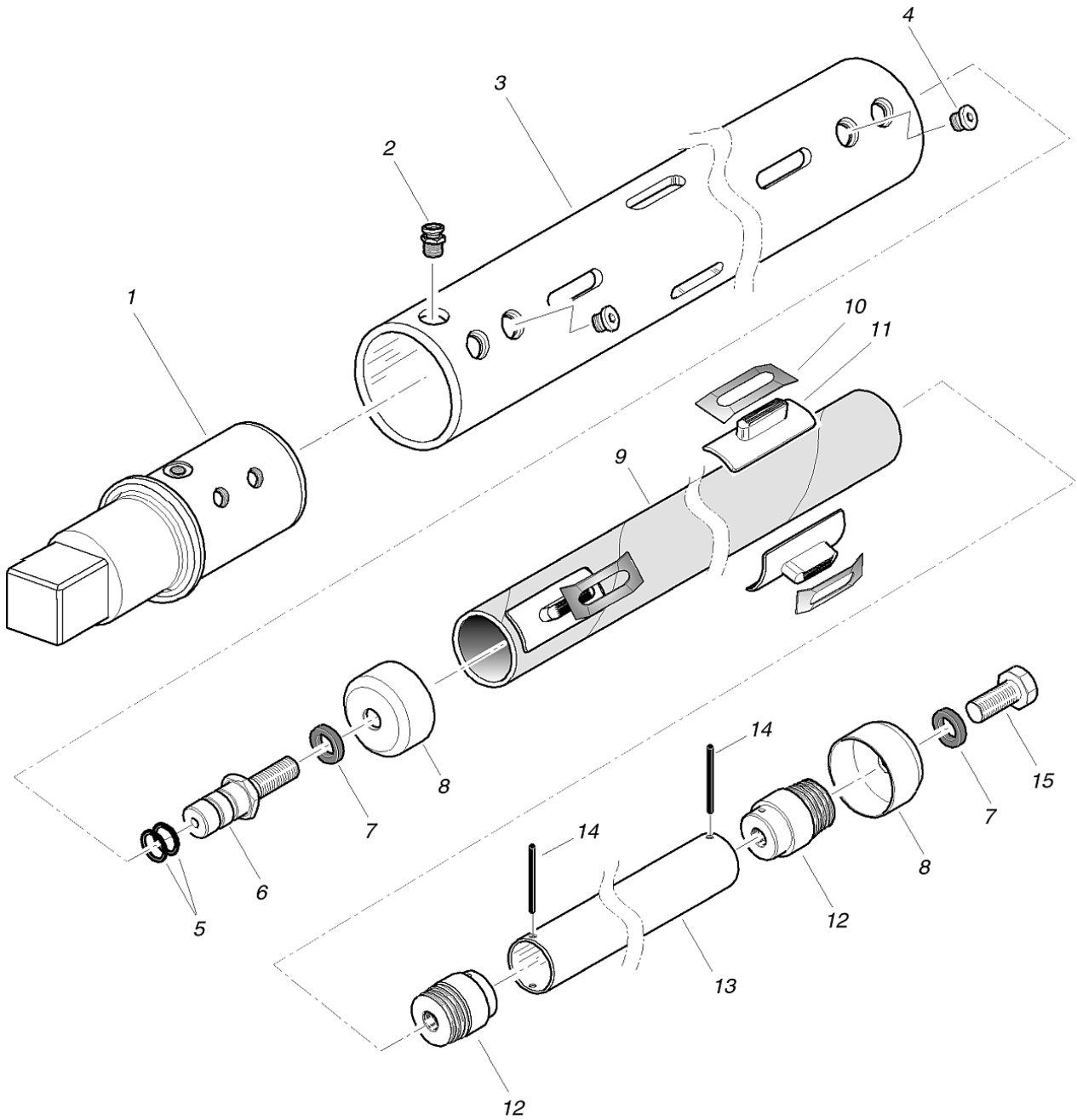
REASSEMBLY OPERATIONS

6. Prepare a new air bladder **(9)** as the previous one and insert the tube **(13)** into it. Then insert the internal caps **(12)**.
7. Apply the external caps **(8)**, insert the sealing washer **(7)** and fasten the external caps by tightening the hex screw **(15)** and air bolt **(6)**. The new air bladder assembly is now ready to be reassembled.
8. Insert the air bladder assembly inside the body **(3)**
9. Insert the journal **(1)** inside the body **(3)** and fasten the fixing screws **(4)**. If it was removed before, screw the inflation valve **(2)** back on.
10. Check the seal of the new inner tube by repeatedly inflating and deflating the expanding shaft.
11. Release the keys **(11)** by removing the wire from the hole.

RECOMMENDED OPERATING AIR PRESSURE: 6 BAR



Converting Equipment



1	JOURNAL	9	BLADDER
2	AIR VALVE	10	AIR BLADDER
3	BODY	11	KEY SPRING
4	FIXING SCREW	12	KEY
5	O-RING	13	INTERNAL CAP
6	AIR BOLT	14	TUBE
7	WASHER	15	ELASTIC PLUG
8	EXTERNAL CAP	16	HEX SCREW